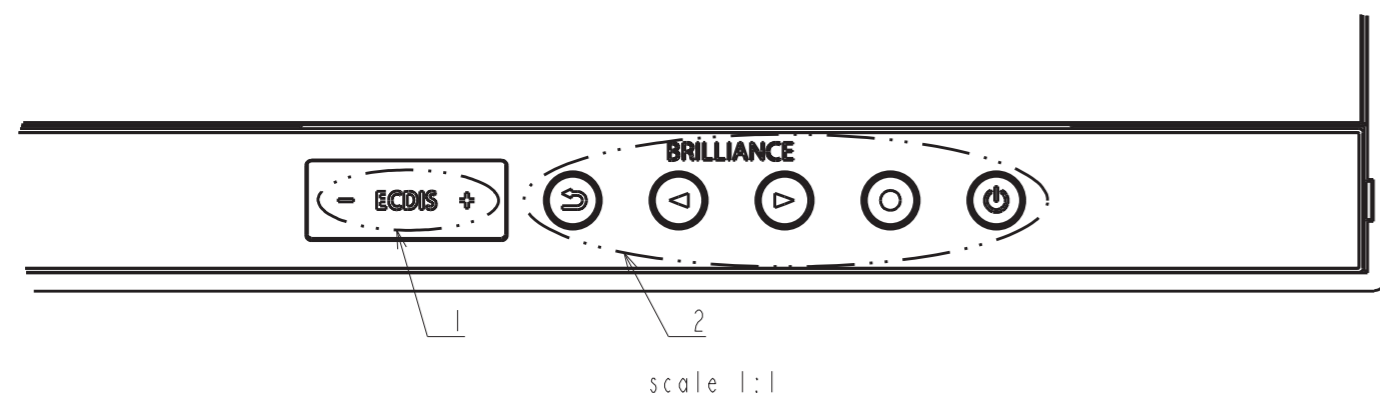
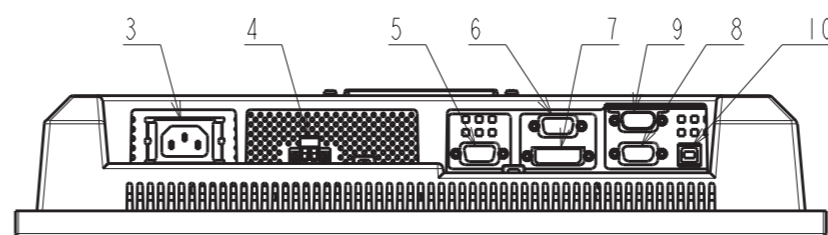
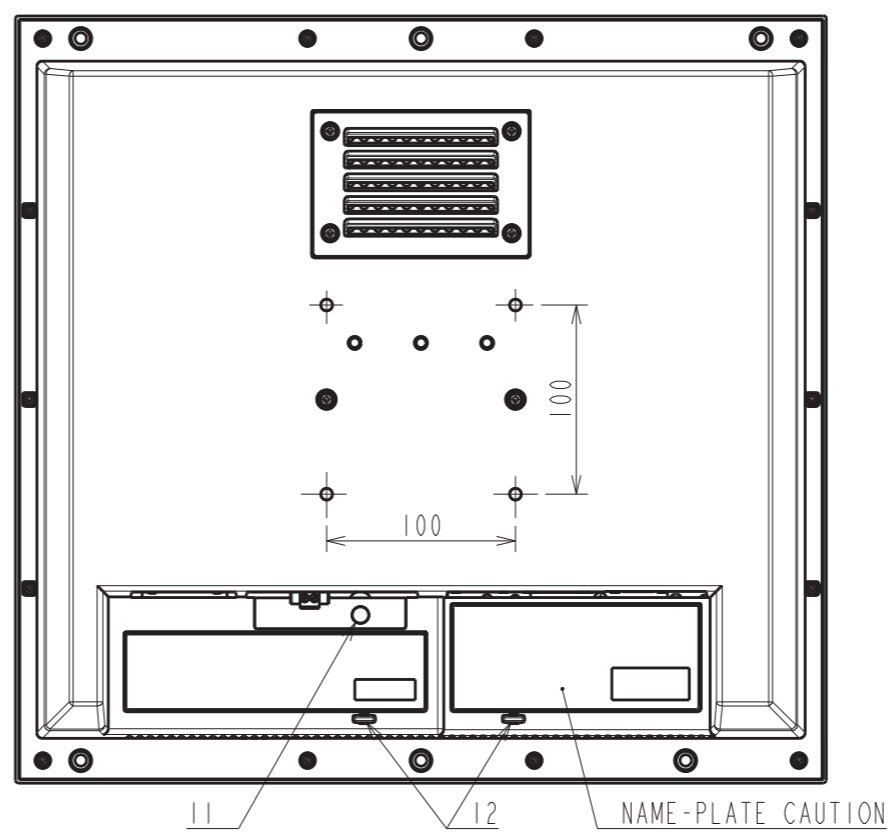
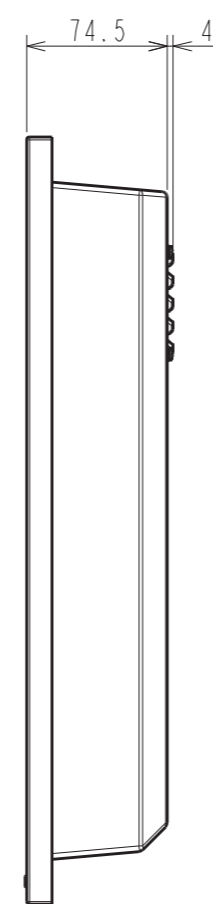
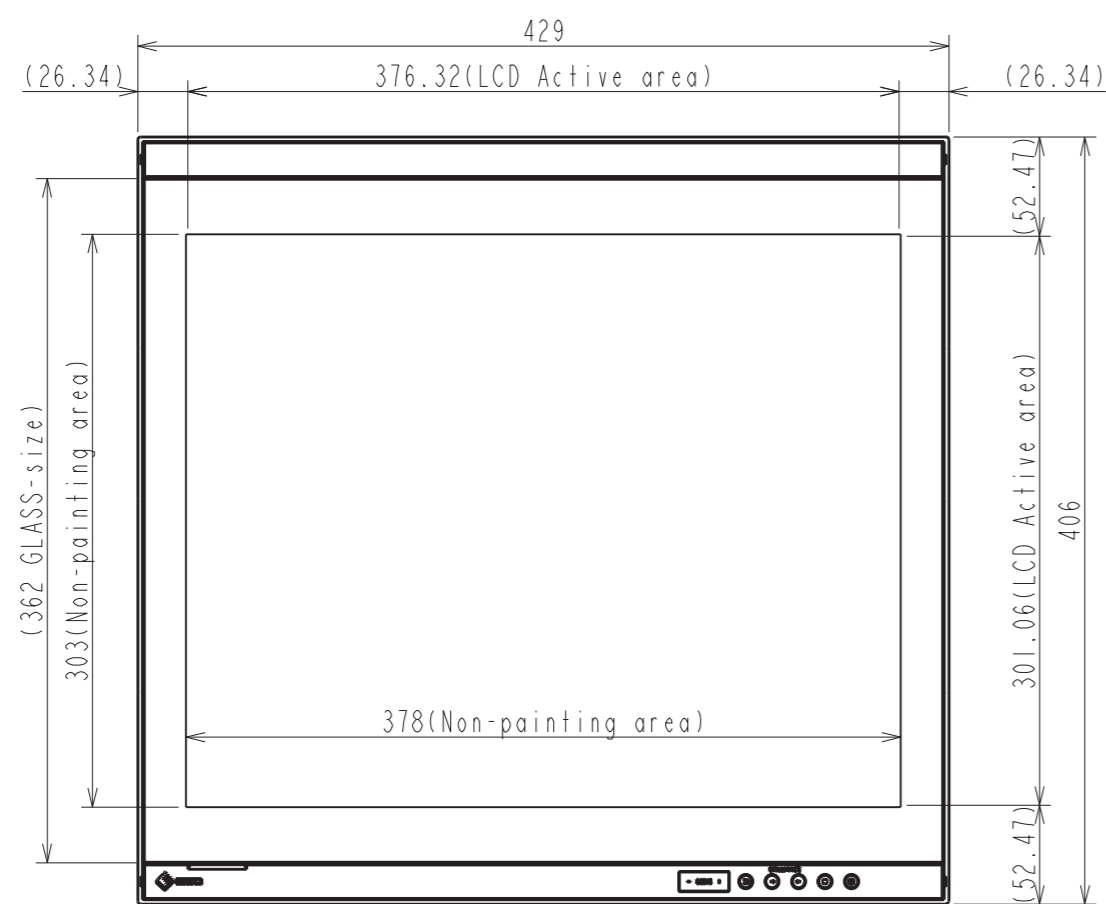
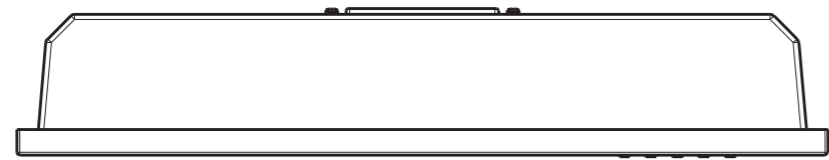


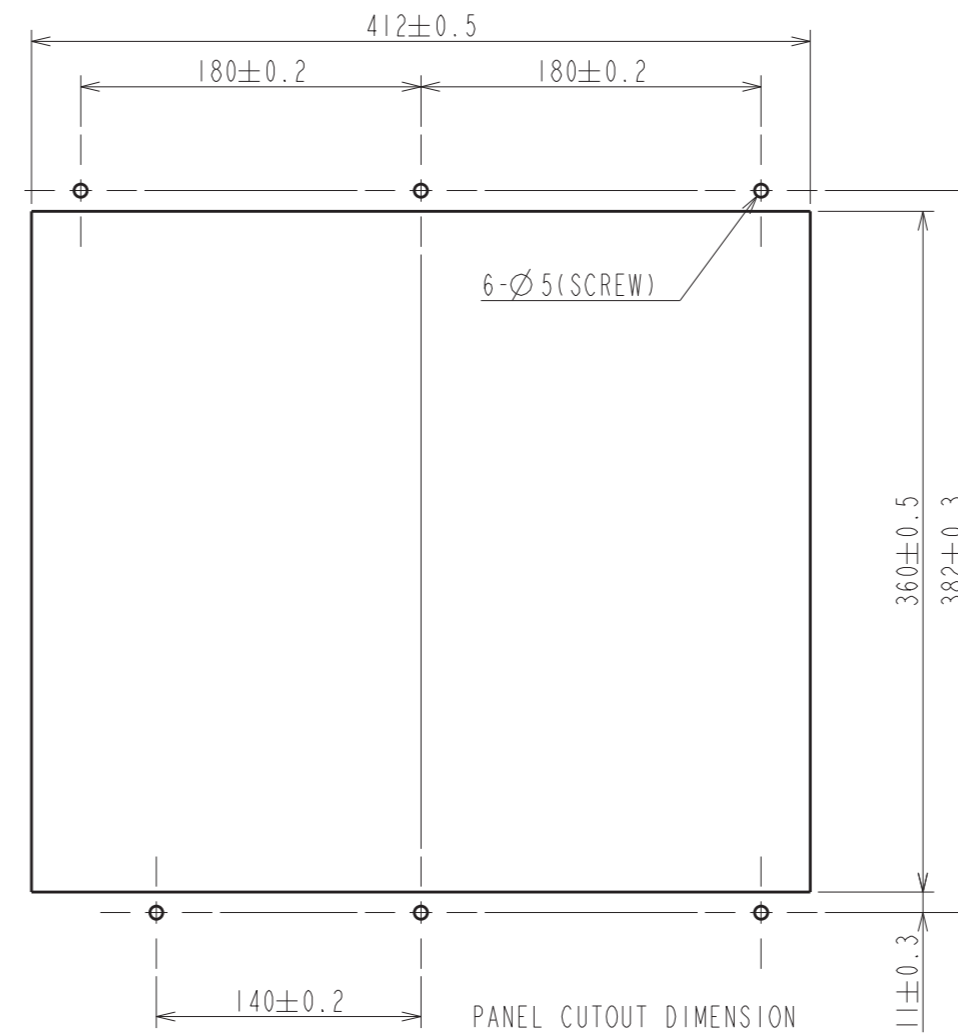
# FDS1904/FDS1904T

Revised

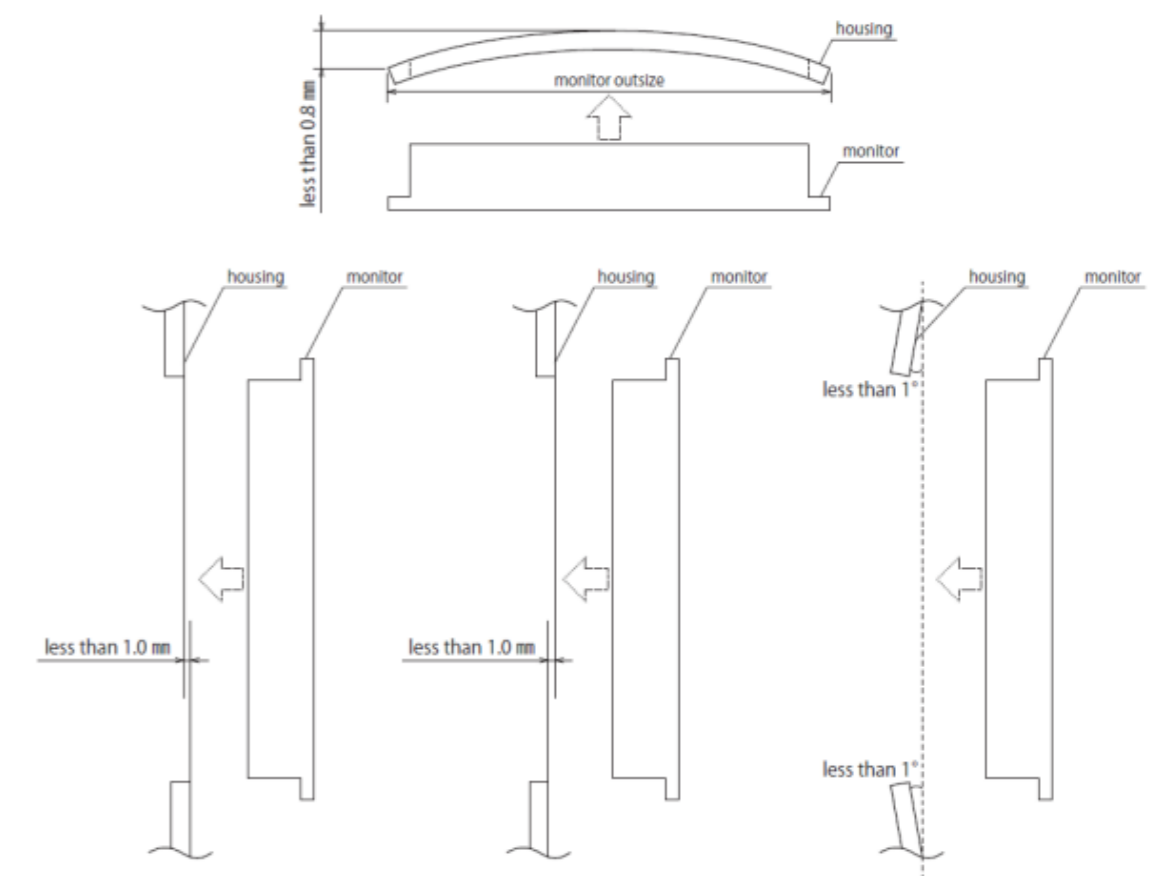
B : Add the housing tolerance for mounting



scale 1:1



## ●Housing tolerance for the mounting



1. ECDIS INDICATOR
2. BUTTON  
BACK RETURN / LEFT ARROW /  
RIGHT ARROW / RETURN / POWER
3. POWER INPUT\_(AC)
4. POWER INPUT\_(DC)
5. OUTPUT SIGNAL CONNECTOR
6. INPUT SIGNAL CONNECTOR\_(D-SUB15P)
7. INPUT SIGNAL CONNECTOR\_(DVI-D)
8. MONITOR CONTROL PORT\_(D-SUB9P)
9. SERIAL PORT\_(FDS1904T only)
10. USB PORT\_(FDS1904T only)
11. FUNCTION EARTH TERMINAL
12. CABLE HOLDER

[mm]